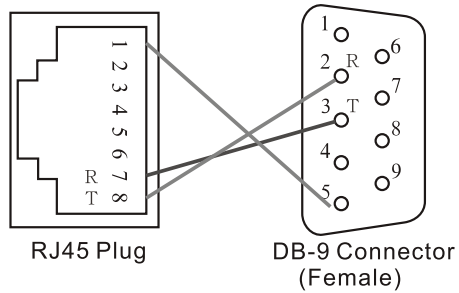


2. RS232 Signal

It is necessary to prepare a communication cable for connection between CMC and the computer.
Please refer to the following for the details of the pin assignment of the communication cable.



Attention:

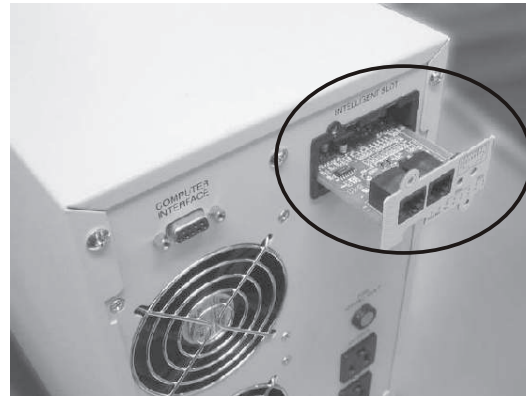
1. The RS485→RS232 Converter is not a standard accessory from UPS, users may have to buy it from the market. Please confirm that the converter must be 4-wire and full-duplex, and is using with external DC power supply recommended.
2. If the connector of the RS485→RS232 Converter is not the standard DB-9 type, it may require an adaptor (usually 25-pin to 9-pin adaptor or cable) to connect with the COM port of the computer.

HARDWARE INSTALLATION

1. Open the cover of the Intelligent Slot of the UPS, shown as below:



2. Insert the CMC into the Intelligent Slot.



3. Lock the screws of the CMC bracket.



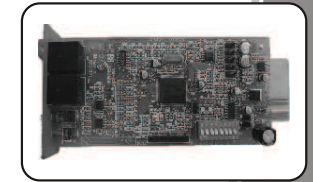
4. Connect the CMC(s) and the computer according to the "TOPOLOGY" diagram.

SOFTWARE INSTALLATION

Install the software into the computer system to monitor all the UPS with CMC installed.

Please refer to the installation procedures in the manual.

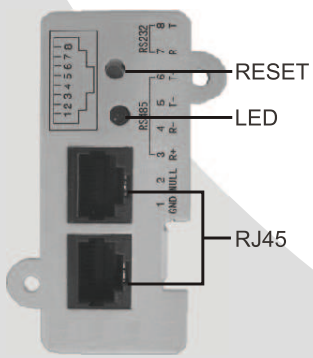
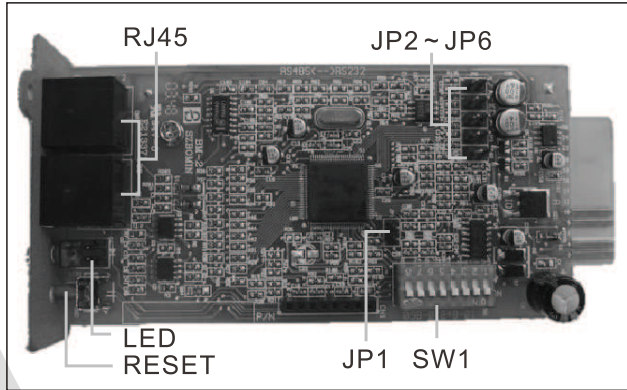
CMC card



User Guide

CMC (Central Monitor Card) is an optional accessory, it gives an easy and simple way to achieve remote monitoring & controlling of all the UPS at the same time.

APPEARANCE



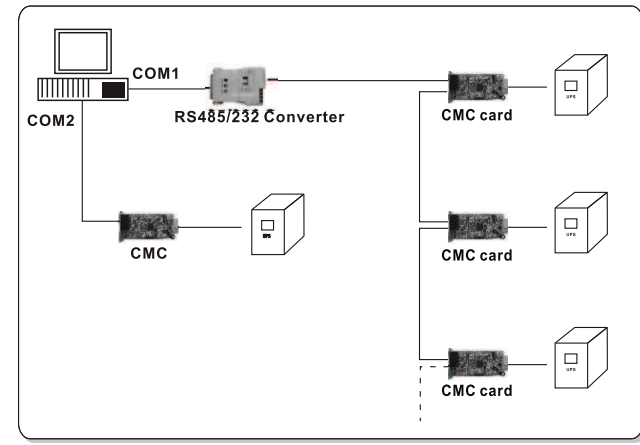
FEATURES

- Converts the UPS RS232 signal into new RS232 signal with specified address.
- Converts the UPS RS232 signal into RS485 signal (4-wire, full-duplex).
- Provides a pair of RJ45 interface.

COMPATIBILITY

Compatible with:
 1K/1KS, 2K/2KS, 3K/3KS,
 6K/6KS, 10K/10KS,
 3T10KS, 3T15KS, 3T20KS

TOPOLOGY



CONFIGURATION

1. Address Setting (SW1)

Range: 0 ~ 255

Description: As an eight byte binary system, Pin-1 of SW1 is low byte, Pin-8 of SW1 is high byte. DIP switches set to "ON" means "0", and DIP switches set to "OFF" means "1".



Example: If you want to set the CMC number as 38 (in decimal), its equivalent binary number is 00100110. Please refer to the SW1 setting on the right:



Notes: The setting of CMC number can not be duplicated in the same group.

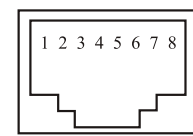
2. Model Setting (JP1~JP6)

The setting of JP1 ~ JP6 Jumpers should be in accordance with the UPS model. Please refer to the following for details.

No.	KVA	UPS Model	JP1	JP2	JP3	JP4	JP5	JP6
1	1KVA	1K	X	•	•	•	X	X
2	1KVA	1KS	X	X	•	•	X	X
3	2KVA	2K	X	•	•	•	X	•
4	2KVA	2KS	X	X	•	•	X	•
5	3KVA	3K	X	•	X	•	X	X
6	3KVA	3KS	X	X	X	•	X	X
7	6KVA	6K	X	•	X	•	X	•
8	6KVA	6KS	X	X	X	•	X	•
9	10KVA	10K	X	•	•	X	X	•
10	10KVA	10KS	X	X	•	X	X	•
11	10KVA	3T10KS	X	•	X	X	X	•
12	15KVA	3T15KS	X	•	•	•	•	X
13	20KVA	3T20KS	X	X	X	X	X	•

• : JUMPER X : No JUMPER

RJ-45 PIN ASSIGNMENT



Pin	1	2	3	4	5	6	7	8
Define	GND	NULL	R+	R-	T-	T+	R	T
Signal			RS485				RS232	

COMMUNICATION MODE

1. RS485 Signal

It is commonly known that most of computers can only receive RS232 signal. Therefore, it is needed to have a RS485 → RS232 CONVERTER to transform RS485 signal into RS232 signal for the computer.

Following diagram shows the wirings between RJ45 port of CMC and the RS485 → RS232 converter.

